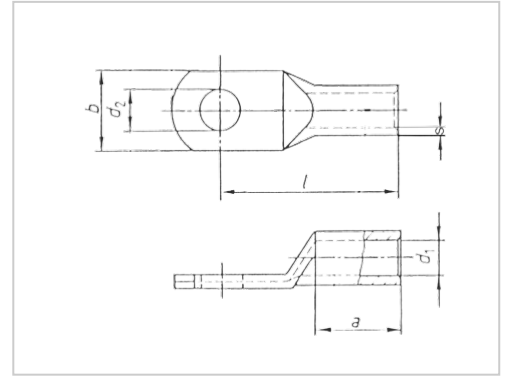


Tubular Cable Lugs, standard type A 10 - 240

Rohrkabelschuhe, handelsüblich

Product number 02113

Weight 2.01kg



Illustrations are for reference only.
Technical specifications may vary and
are subject to change without notice.

Product description

- ringtype
- material: E-Cu
- surface: tin-plated

Product properties

d2	10,5 mm
Nominal cross section	240 mm ²
a	36 mm
s	2.50 mm
Type of packaging	15
d1	21 mm
Material	E-Cu
Nominal size	A 10 - 240 DIN
b	37 mm
l	75 mm

More images

