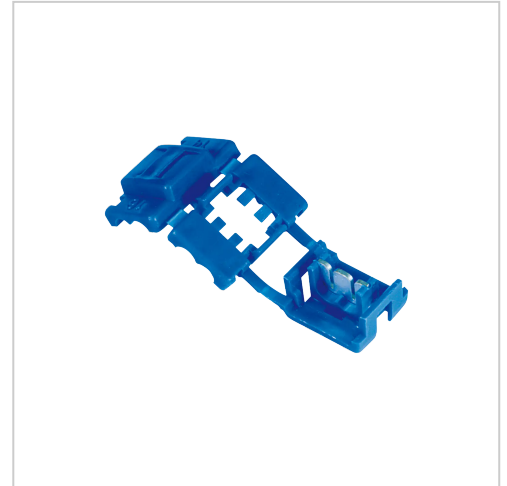


HIL-QUICK® Quick-Splice Connect, 1,5, 49 mm long, 250 pcs. | 250

Kabelabzweigklemmen

Product number 10738

Weight 0.436kg



Illustrations are for reference only.
Technical specifications may vary and
are subject to change without notice.

Product description

- insulation: polypropylene
- temperature range: 0 °C up to +75 °C

Further information:

- no crimping, no soldering necessary
- connecting by closing the clip

Product properties

Insulation material	Polypropylene
Nominal cross section	1,5 mm ²
l	49 mm
Colour	blue
Type of packaging	250
W	20 mm

More images

